

TWO DOORS AND DRAWER UNIT

Manufacturing Material: The manufacturing material used is galvanized sheet metal coated with electrostatically applied paint with a thickness of 1 millimeter.

Body: Galvanized sheet metal coated with electrostatically applied paint.

Num of Door : Two doors **Num of drawers :** Two drawers

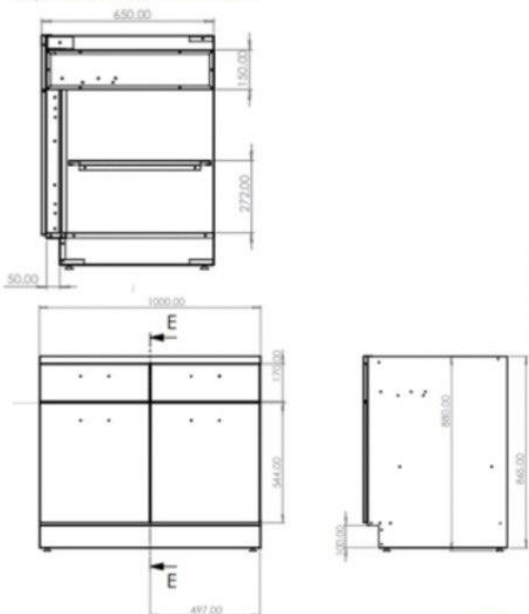
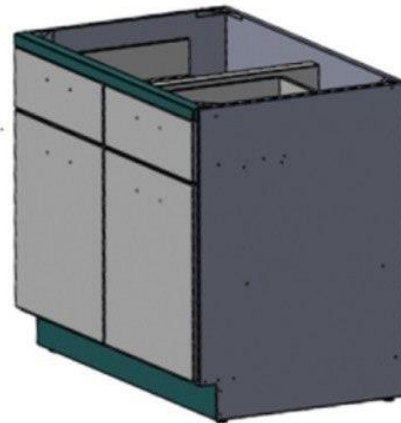
Door: Galvanized sheet metal coated with electrostatically applied paint, consisting of two layers.

Handles: Stainless steel handles.

Door hinges: Soft close hinges, manufactured by Tarka.

Drawer slides: Soft close slides, manufactured by Tarka.

Bases: The bases are equipped with levelers for weight adjustment of the units.



Unit Dimensions:

Width: 100cm

Height: 86.5cm , 88 cm (All)

Depth: 65 cm

size of doors: Width : 49.7cm

Height: 54.4cm

size of drawer: Width : 49.7cm

Height : 15 cm