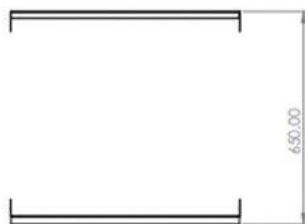
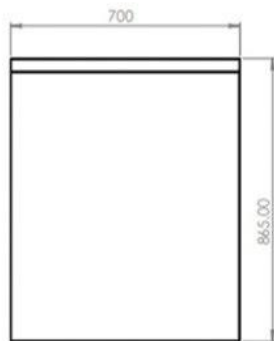
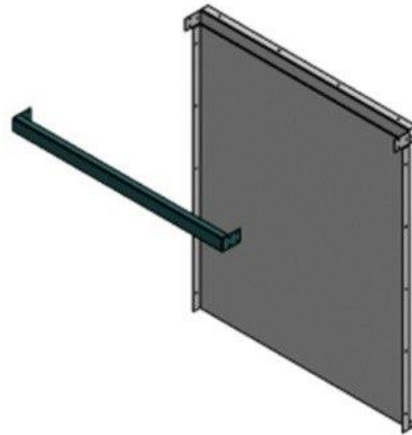


## PLACE TO SIT

**Manufacturing Material:** The manufacturing material used is galvanized sheet metal coated with electrostatically applied paint with a thickness of 1 millimeter.

**Body:** Galvanized sheet metal coated with electrostatically applied paint.



### Unit Dimensions:

Width: 70cm

Height: 86 cm

Depth: 65 cm